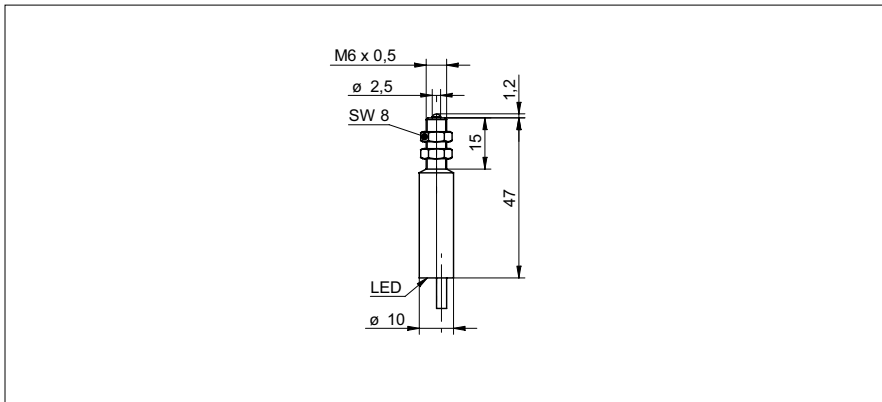


**My-Com precision switches**

**MY-COM E75N80/L**

**dimension drawing**



**general data**

repeat accuracy	< 0,001 mm
activating force	75 cN
mech. pre-run / overrun	- / 0,8 ... 1,5 mm approx.
measurement type	contact with medium
direction of approach	frontal and lateral approach
output indicator	LED red

**electrical data**

voltage supply range +Vs	5 ... 36 VDC
load current max. at 24 VDC	50 mA
load resistance min.	480 Ohm
output circuit	NPN make function (NO)

**mechanical data**

activating pin	hardened steel
housing material	brass nickel plated
dimension	6 mm
type	cylindrical threaded
housing length	47 mm
connection types	cable, 80 cm

**ambient conditions**

operating temperature	-20 ... +75 °C
protection class	IP 50

**photo**



**connection diagram**

